



White Industries

Freehub Body Identification Guide

This guide is designed to help you choose the correct replacement or compatible titanium freehub body for your hub. We purposely left out our steel, aluminum and older titanium Shimano 7/8 speed HG freehub bodies for two reasons; we don't make them anymore, and any hub using any of those styles can't be upgraded to any of the freehub bodies we currently produce.

The freehub bodies (aka "drivers") shown here cover from *about* 2006 to the present. But rather than rely on our fuzzy memories for dates, it's best to verify what driver you have in order to either replace it or change to a compatible style. Verifying your driver style is also necessary when replacing axles on certain model hubs. Bottom line here; don't guess, just verify. So take a little extra time and remove that old cassette so you can see what's underneath. It needed cleaning anyway.

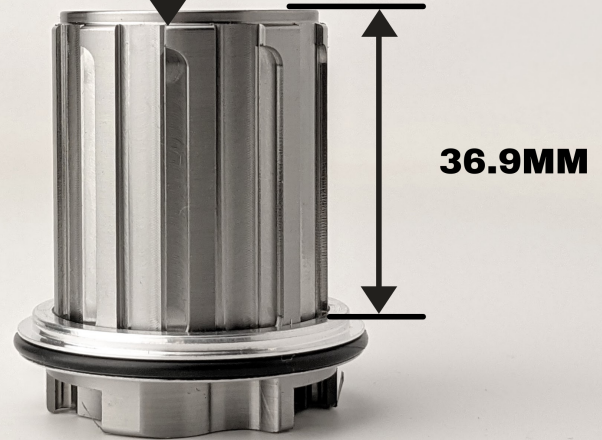
To help clarify what drivers are cross-compatible, check out the chart below, then proceed to the detailed descriptions to identify the 8 different drivers and their compatible hubs.

Freehub Body, or “Driver”	Production	Availability	Compatibility
Shimano/SRAM 11 speed HG	Current	Yes	If you have one of these, you can swap to any of the others
Shimano Micro Spline	Current	Yes	
SRAM XDR	Current	Yes	
Campy 11 speed	Current	Yes	
Campy Ekar/N3W 13 speed	Current	Yes	CLD hubs only (non-Boost)
Shimano/SRAM 10 speed HG	Discontinued	Yes, a handful	If you have one of these, you can swap to any of the others
SRAM XD	Discontinued	Yes, a handful	
Campy 10 speed	Discontinued	Nope	

Shimano/SRAM 11 speed HG



Notice the "hook" shape in the splines



Compatible hubs:

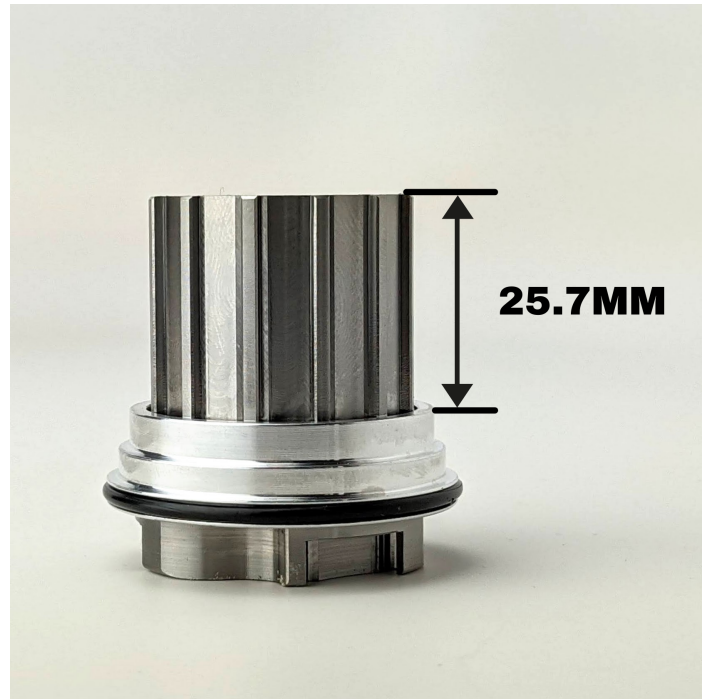
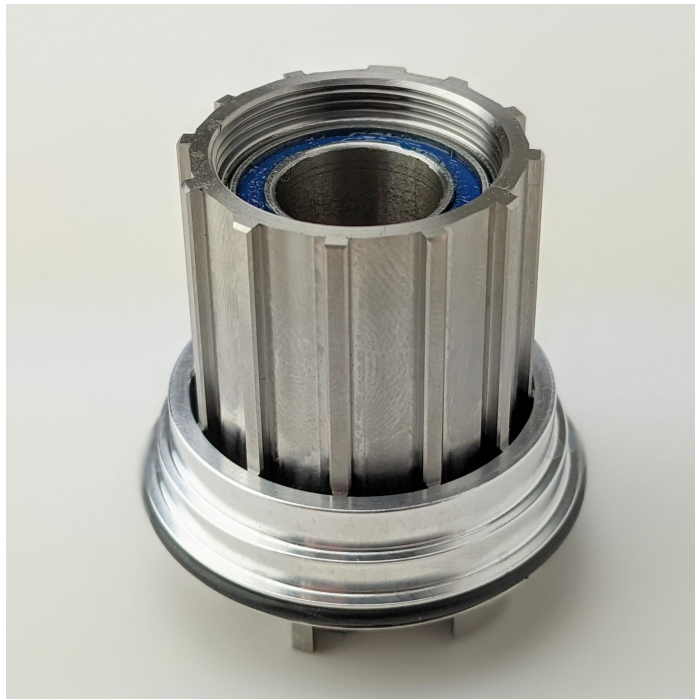
- C157
- CLD
- CLD+
- XMR
- XMR+
- XMRT (tandem)
- T11
- CX11
- Mi5*
- H3**

Cross-compatible freehub bodies:

- Shimano Micro Spline
- SRAM XD/XDR speed
- Campy 11 speed
- Campy Ekar/N3W 13 speed (CLD only)

- *Mi5 hubs must be the newer version that has one of the above listed freehub bodies to work with this freehub body
- **H3 hubs require axle kit #KITR13011 and redishing the wheel
- Bearings: 1x 6802, 1x 3802W
- Fits:
 - Shimano/SRAM 8/9/10/11 speed HG style cassettes
- Must purchase a 1.8mm spacer #SPACER11 for 8/9/10 speed cassettes
- Compatible with 24T and 48T engagement systems with the appropriate pawls

Shimano Micro Spline



Compatible hubs:

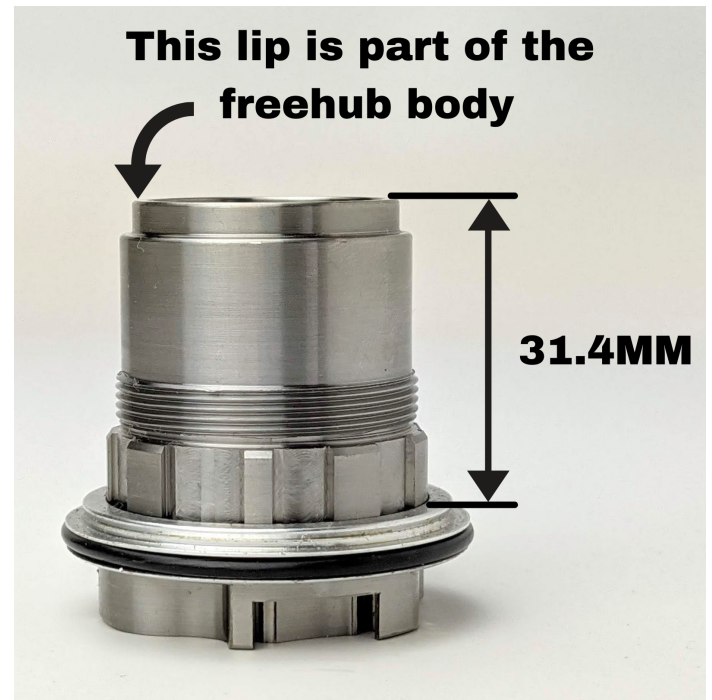
- C157
- CLD
- CLD+
- XMR
- XMR+
- XMRT (tandem)
- T11
- CX11
- Mi5*

Cross-compatible freehub bodies:

- Shimano/SRAM 11 speed HG
- SRAM XDR
- Campy 11 speed
- Campy Ekar/N3W 13 speed (CLD only)

- *Mi5 hubs must be the newer version that has one of the above listed freehub bodies to work with this freehub body
- Comes with a dedicated axle kit when retrofitting to an existing/used hub
- Bearings: 2x 3802W
- Fits:
 - Shimano Micro Spline cassettes
- Compatible with 24T and 48T engagement systems with the appropriate pawls

SRAM XDR



Compatible hubs:

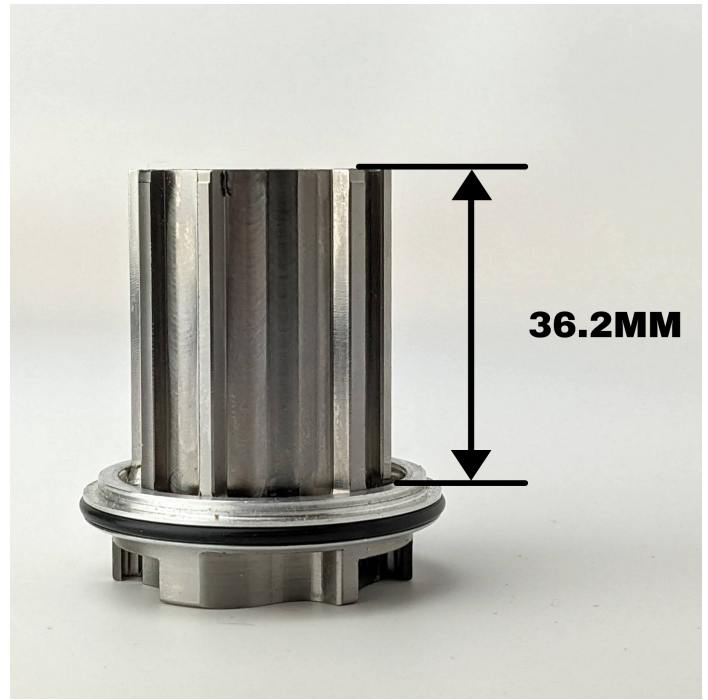
- C157
- CLD
- CLD+
- XMR
- XMR+
- XMRT (tandem)
- T11
- CX11
- Mi5*
- H3**

Cross-compatible freehub bodies:

- Shimano/SRAM 11 speed HG
- Shimano Micro Spline
- Campy 11 speed
- Campy Ekar/N3W 13 speed (CLD only)

- *Mi5 hubs must be the newer version that has one of the above listed freehub bodies to work with this freehub body
- **H3 hubs require axle kit #KITR13011 and redishing the wheel
- Bearings: 2x 3802W
- Fits: SRAM XD and XDR cassettes
- Comes with a 1.8mm spacer for XD mountain cassettes
- Compatible with 24T and 48T engagement systems with the appropriate pawls

Campy 11 speed



Compatible hubs:

- C157
- CLD
- CLD+
- XMR
- XMR+
- XMRT (tandem)
- T11
- CX11
- Mi5*
- H3**

Cross-compatible freehub bodies:

- Shimano/SRAM 11 speed HG
- Shimano Micro Spline
- SRAM XDR
- Campy Ekar/N3W 13 speed (CLD only)

- *Mi5 hubs must be the newer version that has one of the above listed freehub bodies to work with this freehub body
- **H3 hubs require axle kit #KITR13011 and redishing the wheel
- Bearings: 2x 3802W
- Fits:
 - Campy 9/10/11/12 speed cassettes
 - Compatible with 24T and 48T engagement systems with the appropriate pawls

Campy Ekar/N3W 13 speed



Compatible hubs:

- CLD

Cross-compatible freehub bodies:

- Shimano/SRAM 11 speed HG
- Shimano Micro Spline
- SRAM XDR
- Campy 11 speed

- Bearings: 2x 3802W
- Fits:
 - Campy Ekar 13 speed cassettes
 - Campy 10/11/12 speed with Campy adapter
- Uses included 2.5mm drive side axle washer between bearing and axle end
- Compatible with 24T and 48T engagement systems with the appropriate pawls

Shimano/SRAM 10 speed HG



Compatible hubs:

- H3
- Daisy
- Mi6
- Mi6 tandem
- Sno White
- *Mi5

Cross-compatible freehub bodies:

- SRAM XD
- Campy 10 speed

- *Mi5 hubs must be the older version that has one of the above listed freehub bodies to work with this freehub body
- Bearings: 1x 6802, 1x 3802W
- Fits:
 - Shimano/SRAM 8/9/10 speed HG style cassettes
 - Shimano/SRAM 11 speed HG mountain cassettes
 - Shimano Ultegra HG-800 11/34 11 speed road cassette (which is narrower than their other 11 speed road cassettes)
- Compatible with 24T and 48T engagement systems with the appropriate pawls

SRAM XD



Compatible hubs:

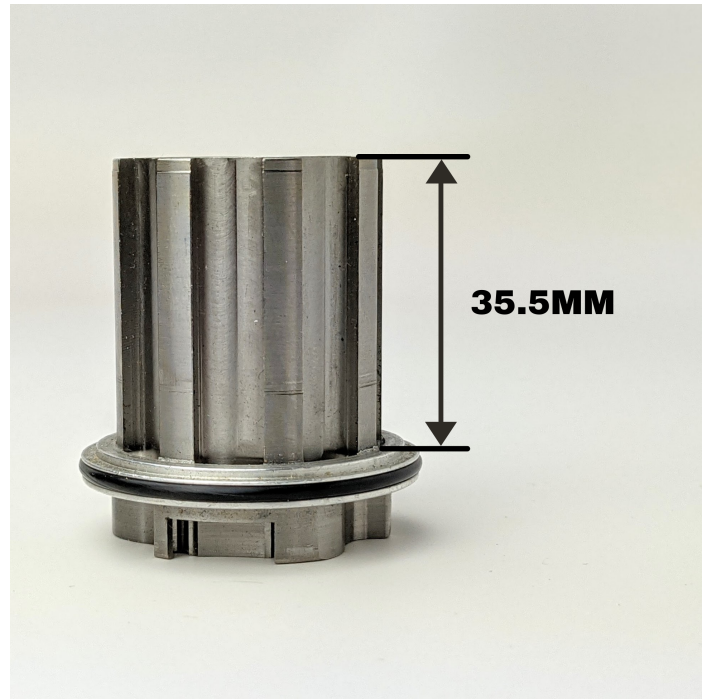
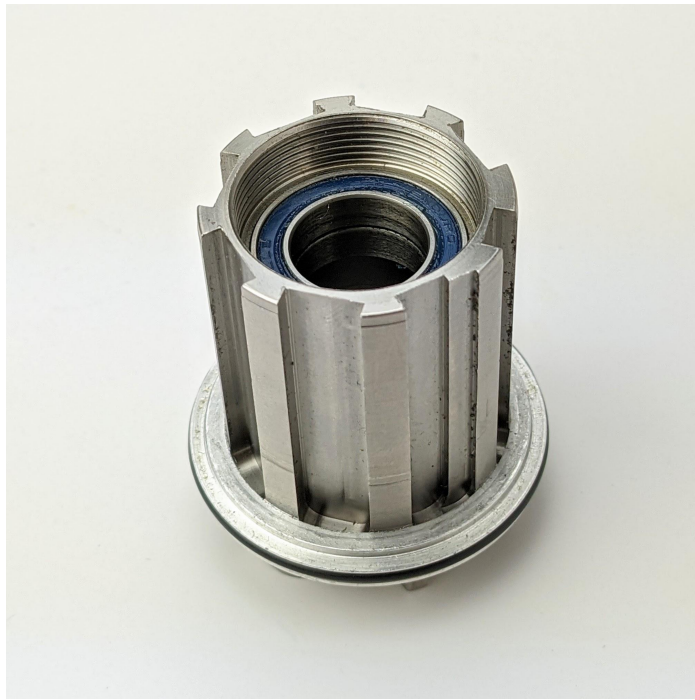
- H3
- Daisy
- Mi6
- Mi6 tandem
- Sno White
- *Mi5

Cross-compatible freehub bodies:

- Shimano/SRAM 10 speed HG
- Campy 10 speed

- *Mi5 hubs must be the older version that has one of the above listed freehub bodies to work with this freehub body
- Bearings: 2x 3802W
- Fits:
 - SRAM XD cassettes
- Compatible with 24T and 48T engagement systems with the appropriate pawls

Campy 10 speed



Compatible hubs:

- H3
- Daisy
- Mi6
- Mi6 tandem
- Sno White
- *Mi5

Cross-compatible freehub bodies:

- Shimano/SRAM 10 speed HG
- SRAM XD

- *Mi5 hubs must be the older version that has one of the above listed freehub bodies to work with this freehub body
- Bearings: 2x 3802W
- Fits:
 - Campy 9/10/11 speed cassettes
- Compatible with 24T and 48T engagement systems with the appropriate pawls
- No longer available